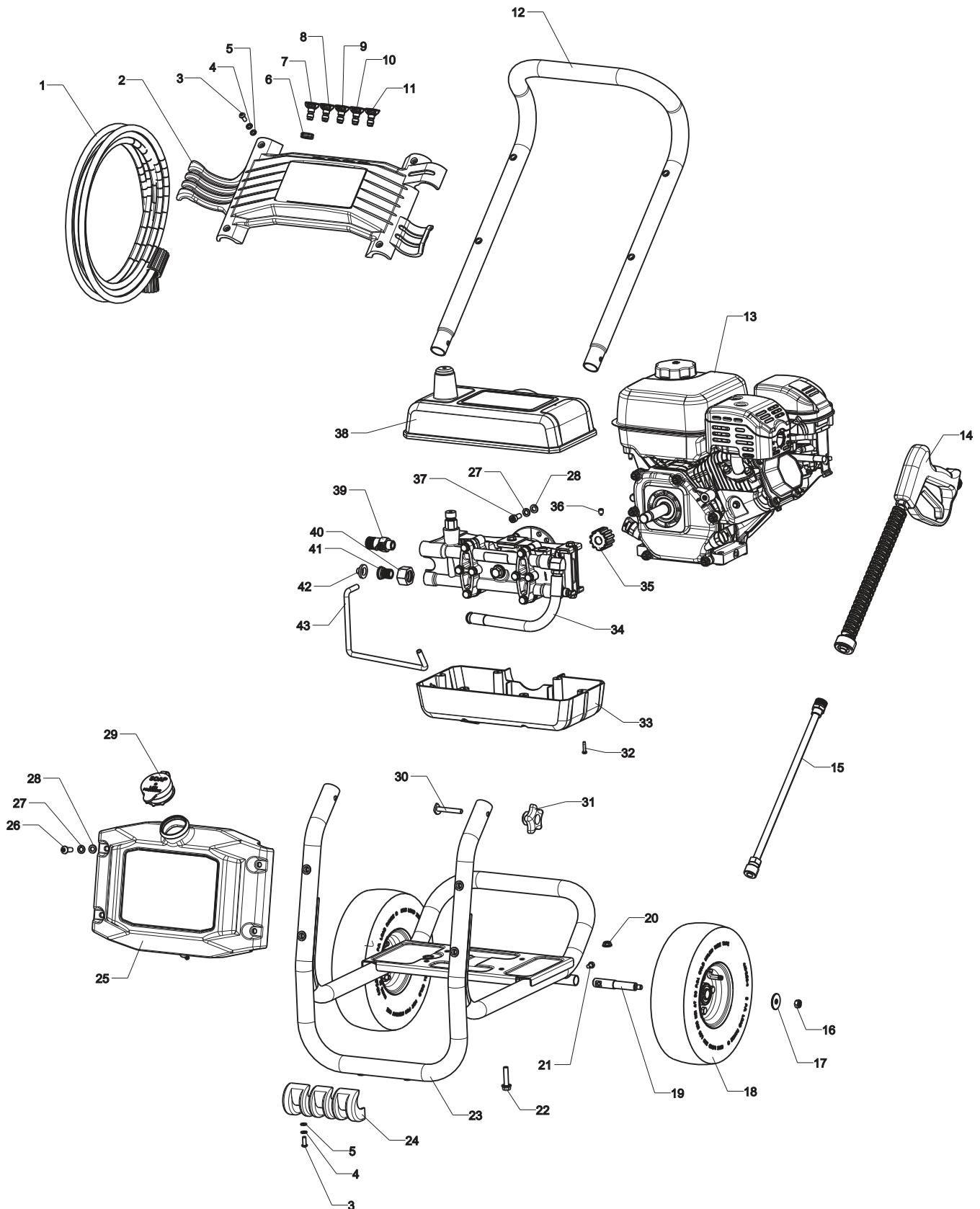


PARTS LIST & EXPLODED VIEW

PRESSURE WASHER ITEM # E104480



PARTS LIST & EXPLODED VIEW

PRESSURE WASHER ITEM # E104480

ITEM	KIT #	PART NO.	QTY	DESCRIPTION	ITEM	KIT #	PART NO.	QTY	DESCRIPTION
1		E104107	1	Assm, Hose, 15 Foot, 20MPA Pressure Rating	23		E104588	1	Weldmend, Tubing (Front, Base) - Vette
2		E104577	1	Panel, Accessory - Vette	24		E104573	1	Foot, Plastic - Vette
3			6	Screw, M6x1.0x16 SBHCS	25		E104574	1	Tank, Chemical - Vette
4			6	Washer, Lock M6	26			4	Bolt, M8x1.25x25 SBHCS
5			6	Washer, Flat 6MM - 18.5MM OD	27			4	Washer, Lock 8mm
6		E104126	5	Grommet, Nozzle	28			4	Washer, Flat 8mm X 19mm
7		E104112	1	Nozzle, 0 Degree Red	29		E104575	1	Cap, Chemical Tank - Vette
8		E104114	1	Nozzle, 15 Degree Yellow	30		E104063	2	Bolt, Saddle M8x45
9		E104115	1	Nozzle, 40 Degree White	31		E104064	2	Knob, Five Prong
10		E104598	1	Nozzle, 25 Degree - Green	32			6	Screw, #8-16x.75 Pan Head Plastite T20
11		E104113	1	Nozzle, Low Pressure Black	33		E104587	1	Cover, Pump Bottom - IC2
12		E104591	1	Assembly, Handle - Vette	34	1		1	Pump, IC2
13		E104430	1	Assembly, Engine, 180cc RATO, R180-3	35	1		1	Shaft, Couple Spline
14		E104811	1	Gun, Pressure Washer, BIT 101	36	1		1	Screw Set 5/16-24 X.438 SM DG PT
15		E104102	1	Assy, wand & quick connect, 15.125 inch	37			4	Bolt, SHC, M8 X 1.25 X 20MM
16			2	Nut, M8x1.25 Nyloc	38		E104586	1	Cover, Pump Top - IC2
17			2	Washer, M8 - 30 OD	39	1	E104788	1	Injector, Chem, 1.8mm, Fixed, JE#4343
18		E104611	2	Wheel, 10" Pneumatic	40	1,2		1	Nut, Swivel, Garden Hose
19		E104054	2	Spud, Wheel (Short)	41	1,2		1	Swivel, 3/8 NPT Male
20			4	Nut, M8X1, Serrated Flangehead	42	1	E104787	1	Screen, 3/4 Garden Hose
21			2	Screw, M6x1.0x10 Hex	43		E104141	1	Chemical Hose
22			4	Bolt, M8x1.25x35 Hex Serrated Flange					

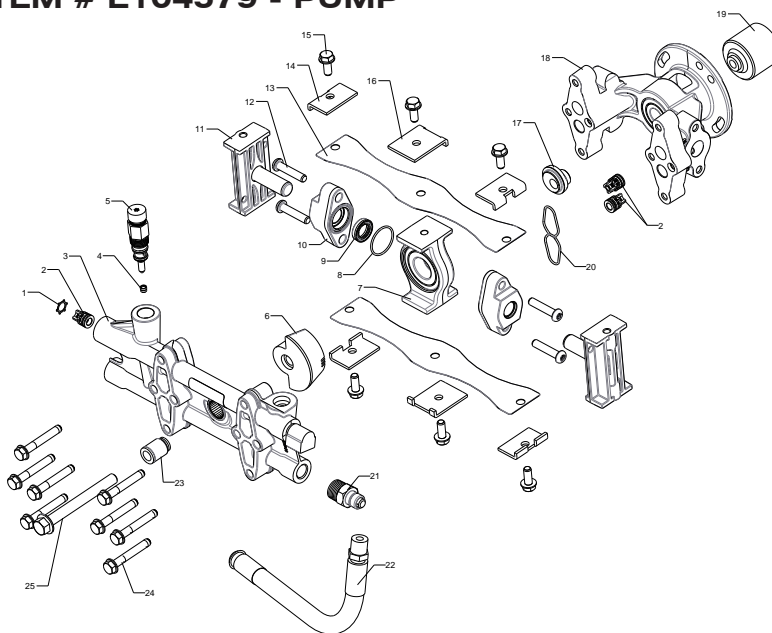
- Note: Any part number field without a number listed is not available
- Descriptions are provided for reference only.

KIT NUMBERS, DESCRIPTIONS, AND INCLUDED COMPONENTS ARE LISTED BELOW:

KIT #	ORDER NO.	DESCRIPTION	COMPONENT REFERENCE #
1	E104797	Kit, Assy IC2	34-36, 39-42
2	E104789	Kit, Swivel	40-41

PARTS LIST & EXPLODED VIEW

PRESSURE WASHER ITEM # E104579 - PUMP



ITEM	KIT #	PART NO.	QTY	DESCRIPTION	ITEM	KIT #	PART NO.	QTY	DESCRIPTION
1	5		1	Ring, Retaining, Internal, .600, IC2	14			4	Clamp, Block End
2	1,5		5	Assembly, Valve, IC2	15			6	Screw, IHW 5/16 - 18 X .75 GRD 8
3			1	Assembly, Head IC2	16			2	Clamp, Block Mid-Strap
4	2		1	Seat, Unloader, IC2	17			1	Coupler, Shaft Bearing IC2
5	2		1	Unloader, IC2	18			1	Assembly, Pump Body Radial, IC2
6			1	Shaft, Counterweight 2.5GPM	19			1	Spline, Bearing Coupler
7			1	Assembly, Ring Radial	20	1,5		2	O-ring, Custom, Head Pump Body, IC2
8	3		2	O-ring, Journal Body, IC2	21		E104812	1	Thermal Relief, IC2
9	3		2	Seal, 16mm, IC2	22		E105544	1	Pulse Hose, IC2
10			2	Assembly, Journal Body and Bushing, IC2	23			1	Assembly, Shaft Inner Ring
11	4		2	Assembly, Piston and Cap	24			8	Screw, 5/16 - 18 X 2.125 THD FRM
12			4	Screw, 5/16 - 18 X 1.5 THD FRM	25			1	Bolt, 7/16 - 14 X 4.00 GRD 8
13			2	Strap, IC2					

KIT NUMBERS, DESCRIPTIONS, AND INCLUDED COMPONENTS ARE LISTED BELOW:

KIT #	ORDER NO.	DESCRIPTION	COMPONENT REFERENCE #	KIT #	ORDER NO.	DESCRIPTION	COMPONENT REFERENCE #
1	E104784	Kit, Valve, In/Out	2,20	4	E104785	Kit, Piston w/Cap (replaces both pistons) • NOTE: Order Kit E104786 when replacing pistons	11
2	E104782	Kit, Unloader	4,5	5	E104783	Kit, Valves All (replaces all 5)	1,2,20
3	E104786	Kit, Seals w/O-ring (repairs both pistons)	8,9				

• Note: Any part number field without a number listed is not available • Descriptions are provided for reference only.